

Pellet inserts



Serbis



Désignation	FRATAC	ROBIN	SERBIS
Dimensions (cm)	85,8x55x144	76,6x42,5x133,5	104,6x55x144
Convection		Forced	
Channelled		Yes	
Thermal Output	min 5,1 kW max 14 kW	min 3 kW max 10 kW	min 5,1 kW max 14 kW
Efficiency	min 85% / max 88,5%	min 85% / max 85,5%	min 85% / max 88,5%
Hourly pellet consumption	min ~1,2 kg/h max ~3,5 kg	min ~0,72 kg/h max ~2,5 kg/h	min ~1,2 kg/h max ~3,5 kg
Autonomy	min ~ 22h max ~ 63h	min ~ 24 h max ~ 83 h	min ~ 22h max ~ 63h
Tank capacity	76kg	60 kg	76 kg
Electrical consumption	90 – 210 W/h	94 – 210 W/h	84 – 134 W/h
Adjustment and functioning	Radio remote control		
Net weight	150 kg	115 kg	142 kg
Maximum electrical consumption	480 W – Lightning 20mn		
CO at 13% of O2	max 0,020% / min 0,017%	max 0,017% / min 0,045%	max 0,02% / min 0,017%
Flue gas mass flow	14,3 g/s	13,24 g/s	14,3 g/s
Particular meter	27 mg/Nm3	30 mg/Nm3	27 mg/Nm3
Flue gas temperature	max 190° / min 106°	max 166° / min 102°	max 190° / min 106°
Negative pressure	Power mini 10PA Power maxi 12 PA	Power mini 11 PA Powermaxi 12 PA	Puissance mini 10 PA Puissance maxi 12 PA
Connexion for flue gas exit	Ø 100 mm (by the back)	Ø 80 mm (by the back)	Ø 100 mm (by the back)
Connexion for combustion air inlet	Ø 80 mm	Ø 80 mm	Ø 100 mm
Ashtray	No	No	Removable
Warranty		2	



FRATAC
16/9 serigraphic glass

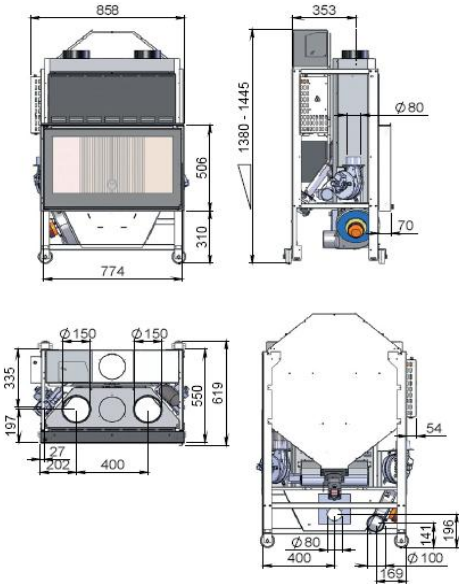


ROBIN
Serigraphic glass

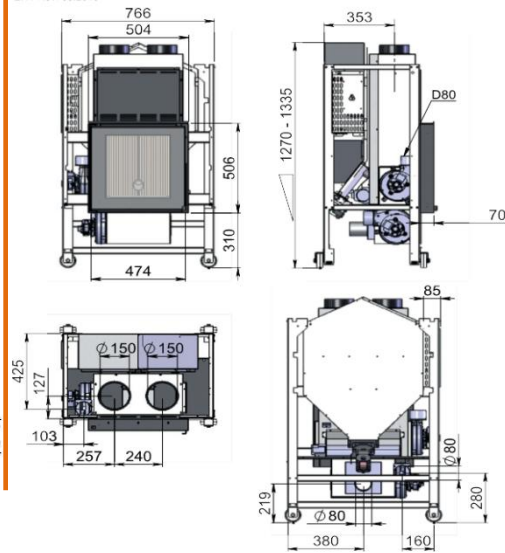


SERBIS
16/9 serigraphic glass

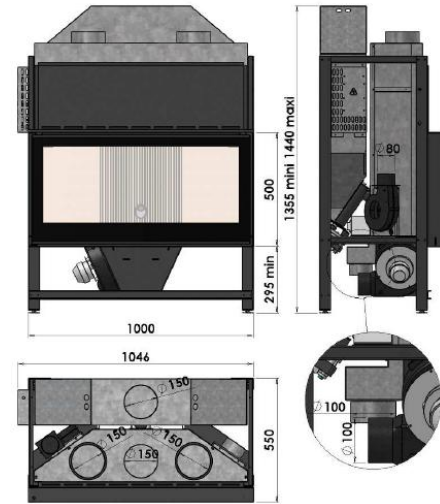
FRATAC



ROBIN



SERBIS



Why would you choose a Chazelles pellet insert ?

Simplicity

- Programming of the exact desired temperature as well as the weekly heating schedule
- Adjustments made with the radio remote control (with integrated temperature probe)
- Big autonomy
- Easy storage of pellet

Performance

- Channelled inserts with double burners
- Combustion chamber made in vermiculite
- Efficiency of pellet higher than wood
- Compatible with Low Energy Buildings
- Label: flamme verte 4 stars (FRATAC, ROBIN) and 5 stars (SERBIS)

Quality & Security

- Made in France
- Automatic shutdown in case of overheating
- Anti over pressure valve
- Conform to the norm EN14785
- 2 years warranty

Chazelles is a French company which designs and manufactures its products in France since 1979

Company figures:

- 110 employees
- 7 hectar site
- Production factory of 20000 m²

Retailer stamp:



Discover our full range of products on our website :

www.chazelles.com



Fireplaces surrounds



Inserts



Stoves

The list of products or references, texts, rating, images and illustrations, the composition and colour of products, and technical information appearing in this catalogue have no contractual value.

Photos TOSCARA, Studio Langereau, TOSCARA, Communication 22

Chazelles, Route de Marthon, 16380 Chazelles, FRANCE